

# SPECIFICATION SHEET



## ADA SINGLE HANDLE SHOWER TRIM WITH DIVERTER SET AND HAND-HELD SHOWER SET



**Model #:** \_\_\_\_\_

**Specific Features:** \_\_\_\_\_

**Project Name:** \_\_\_\_\_

**Submitted For:** \_\_\_\_\_

**Date:** \_\_\_\_\_

- Metal Lever Handle
- Face Plate
- Adjustable Showerhead, Arm & Flange
- Brass Diverter Valve Assembly
- Five Setting Handheld Showerhead With Non-Positive Shut Off
- 24" Slide Bar with Brass Mounts
- 60" Stainless Steel Flex Hose
- Brass Drop Ell with Vacuum Breaker
- With 1.5 GPM Flow Rate
- Mixing Valve Sold Separately

# P-2302T-ADA SHOWN



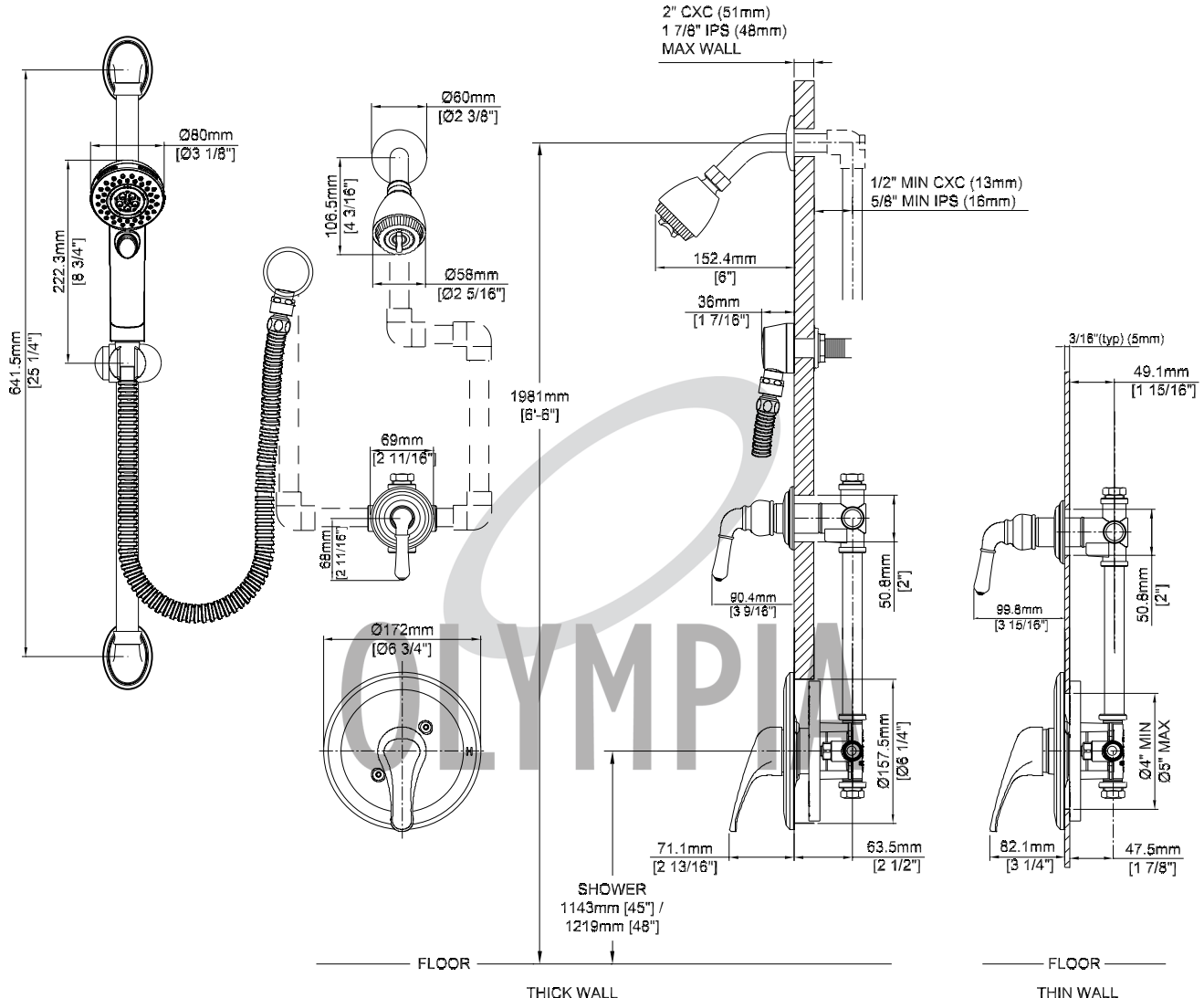
**Note:-** This Product Complies with ADA requirement for Lever handle. Slide Bar is not Designed to be used as Grab Bar.

Model #	Features	Finish
P-2302T-ADA*		CP
P-2302T-ADA-BN*		PVD BN
P-2302T-ADA-ORB*		ORB

Olympia products are engineered and manufactured to meet the following standards and codes:

ASME A112.18.1

- \* Showerhead limited to 1.75 GPM Flow Rate
- \* Handheld showerhead limited to 1.5 GPM Flow Rate



Nashville, TN

www.olympiafaucets.com  
Olympia Faucets, Inc. © 2017  
A Pioneer Industries Inc. Brand  
DMSPP-2302T-ADA/REV. 04.17